



**WAUSAU**

WINDOW AND WALL  
SYSTEMS

# STOREFRONT, ENTRANCES AND STICK CURTAINWALL

Wausau storefront and aluminum entrance systems are used all across America to ensure single source responsibility.

Systems offer consistent color, coordination of deliveries, and strength of manufacturer's warranty.

Support your sustainable design goals with energy-efficient, durable designs. Extruded aluminum contains recycled content averaging 70% or greater.

[www.wausauwindow.com](http://www.wausauwindow.com) 1.877.678.2983

Wausau's storefront and entrances are private-labeled through Apogee sibling company Tubelite, Inc.

Eight standard anodize finishes including Linetec's unique **COPPER ANODIZE**

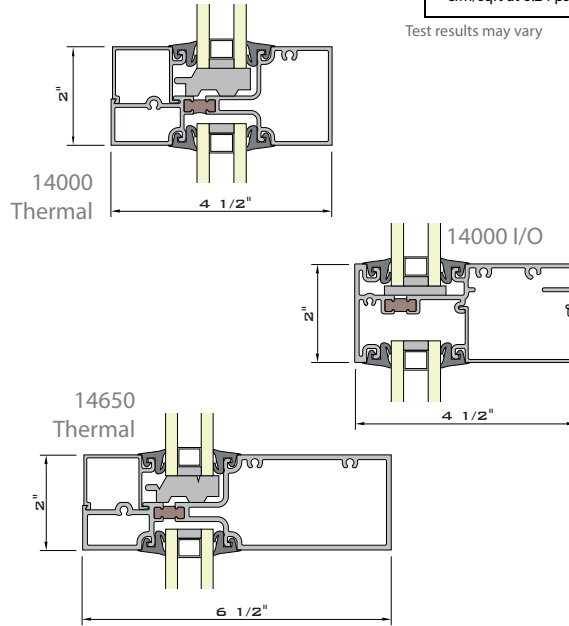
Plus 20 quick-turn standard paint colors

Custom color? No problem

## 14000 and 14650 Series Framing

Available thermal barrier, slotted, or non-thermal for 1" insulating glass or panels

- 2" face width, 4 1/2" frame depth, 6 1/2" frame depth on 14650 Series
- Glass positioned in the center, front or back of the frame (14000 I/O)
- Dry glazed from the exterior, internally drained
- 0.075" frame extrusion wall thickness, 0.090" on 14650 Series
- Adapters available for 1/4" glass
- For low- to mid-rise applications - Ideal for entrance sidelites and transoms



Allowable Air	Water	AAMA U-Factor	CRF <sub>f</sub>	STC
0.06 cfm/sqft at 6.24 psf	10 to 12 psf	0.60 to 0.63 BTU/hr.sqft.°F (thermal)	53 to 56 (thermal)	32 OITC 26

Test results may vary



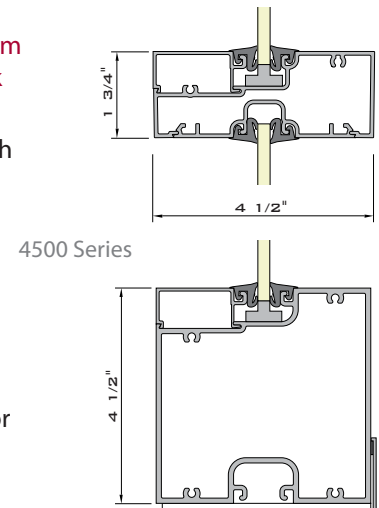
Nuway Construction Goshen, Indiana

## THERMAL and NON-THERMAL STOREFRONT

### 4500 Series Framing

An economical non-thermal system for glass or panels up to 3/8" thick

- 1 3/4" face width - 4 1/2" frame depth
- Glass positioned in the center of the frame
- Dry glazed, internally drained
- 0.075" frame extrusion wall thickness
- For low-rise applications - Ideal for entrance sidelites and transoms



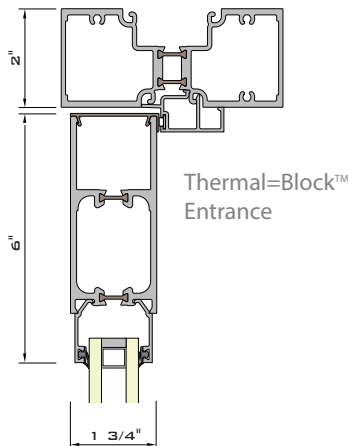
4500 Series

# ALUMINUM ENTRANCES

## Standard, Monumental and Thermal=Block™ Entrances

Integrate seamlessly with storefront and curtainwall  
Threaded steel tension rods for easy adjustment

- 0.125" thick extrusions standard  
- 0.188" thick extrusions at monumental entrances
- Glazing adapters for 1" insulating glass
- Thermal=Block™ entrances feature polyamide thermal barrier strips
- Dual-color finish option
- Custom door hardware applications available



Design and submission engineering support tools help ensure prompt approval of your shop drawings and calculations

AutoCAD® .DWG details      Test reports  
Samples                              Anchorage  
Installation instructions      BIM models

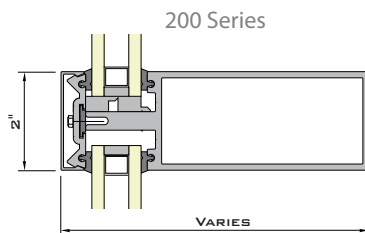
All available 24/7 at [www.wausauwindow.com](http://www.wausauwindow.com)

# STICK CURTAINWALL

## 200 and 400 Series Curtainwall

Shear block pressure wall systems for exterior glazing

- 2" (200 Series) or 2 ½" (400 Series) face width - Frame depths up to 8"
- Continuous thermal isolators
- Exterior snap-on covers allow for different interior and exterior finishes
- Captured, vertical or horizontal structural glazed



Allowable Air	Water	AAMA U-Factor	CRF <sub>f</sub>	STC
0.06 cfm/sqft at 6.24 psf	15 psf	0.66 to 0.67 BTU/hr.sqft.°F	66 to 68	32 OITC 26

Test results may vary





Zorinsky Federal Building Omaha, Nebraska Leo A. Daly

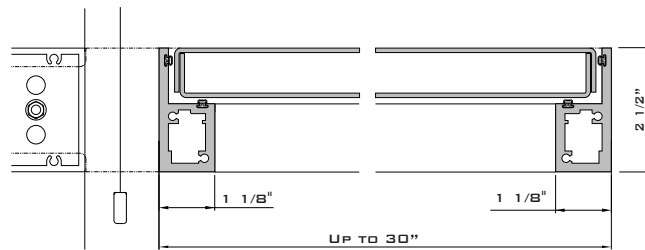
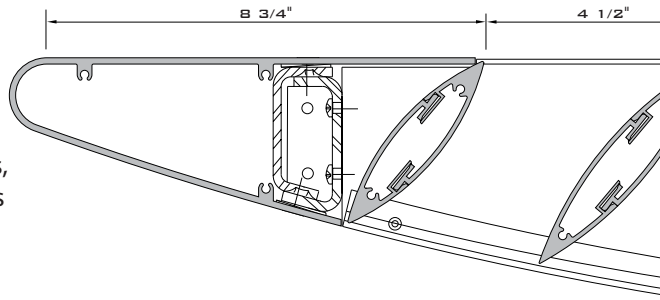


Armstrong World Industries Lancaster, Pennsylvania Gensler

### ClearStory™ Exterior Sun Shades

- Control solar heat gain and harvest natural daylight
- Increase Projection Factor and decrease solar cut-off angles
- A variety of pre-engineered configurations - extruded blades, perforated sheet, "catwalk" grids or solid shading
- Modular design and integral alignment features for ease of installation
- Thermally-improved mullion attachments
- Laser- or water-jet, precision-cut, factory-attached end caps
- Vertical sun shades available for east and west facades

# SUN CONTROL



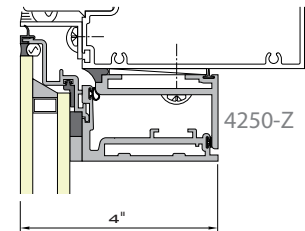
### ClearStory™ Interior Light Shelves

- Redirect south daylight off ceiling surfaces so light penetrates farther
- Control midsummer glare
- Diffuse, reflective, upper surfaces maximize light - lower surfaces match decor
- Light shelves can work in combination with sun shades for maximum daylight harvest
- Shelf depth up to 30" to match transom height
- Optional easy-to-clean removable infill panels
- Not intended as a shelf or step

### 3250-Z and 4250-Z Zero Sightline Vents

- 3 1/2" or 4" frame depth
- Available for captured or structural glazed curtainwall of varying face widths
- 3250-Z: AAMA AW-60; 4250-Z: AAMA AW-90 (awning) AW-100 (casement)
- Multi-point locking system for single handle operation
- Concealed, stainless steel, four-bar, friction hinges
- Factory silicone glazed for "no sag" performance
- 0.125" principal wall thickness

# NATURAL VENTILATION



Allowable Air	Water	NFRC U-Factor	CRF <sub>f</sub>	STC
0.06 cfm/sqft at 6.24 psf	15 psf	0.39 to 0.72 BTU/hr.sqft.°F	48 to 68	31 to 34

Test results may vary

